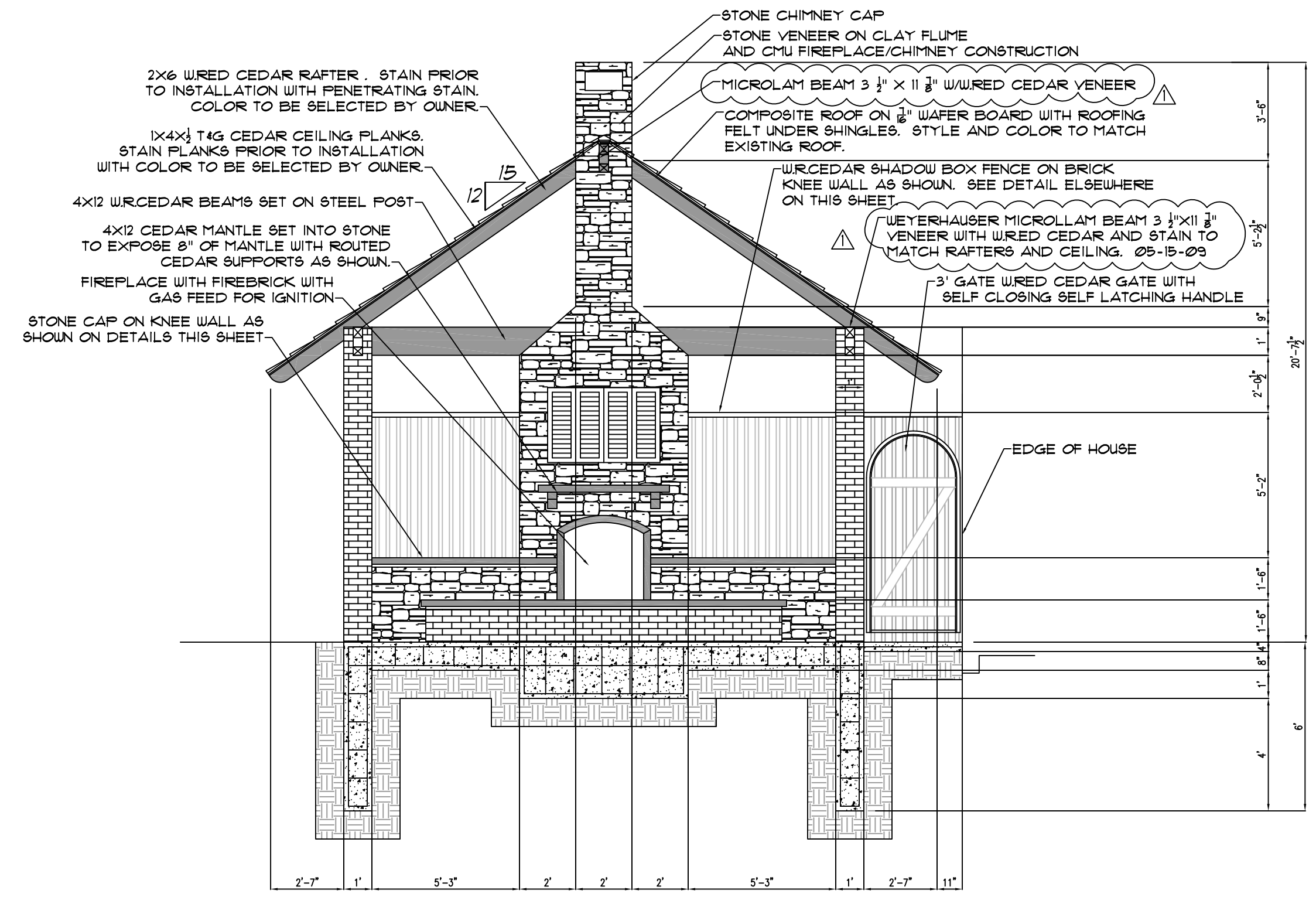


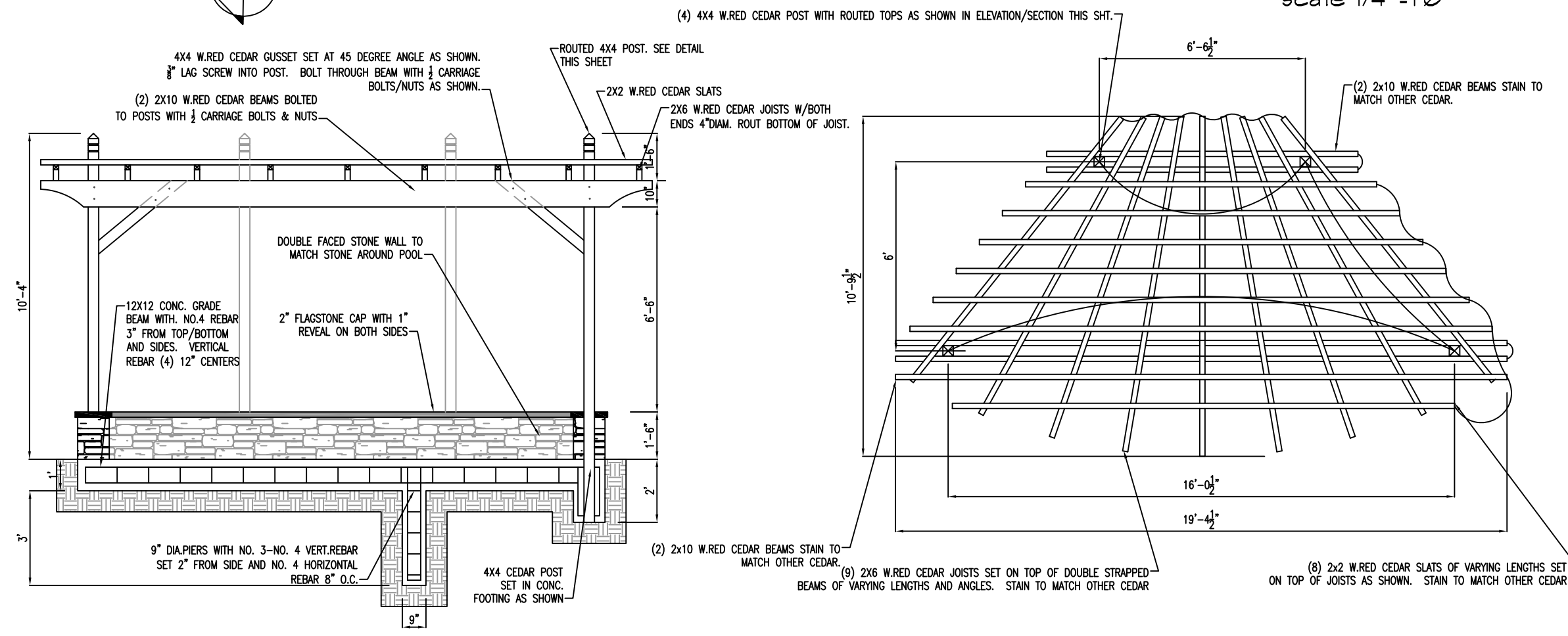
REAR YARD MASTER PLAN

scale 1/8" = 1'0"



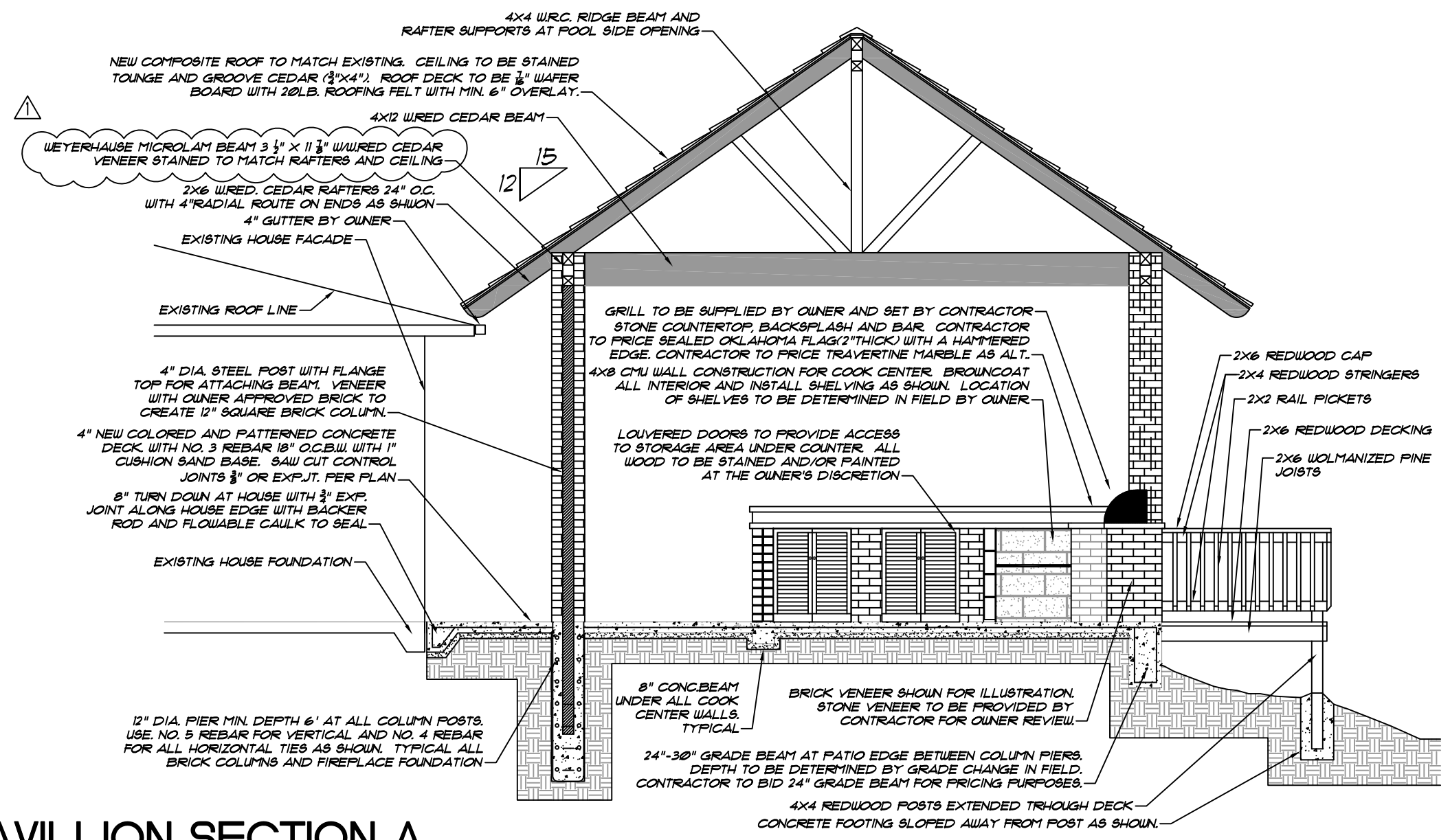
FIREPLACE ELEVATION

scale 1/4" = 1'0"



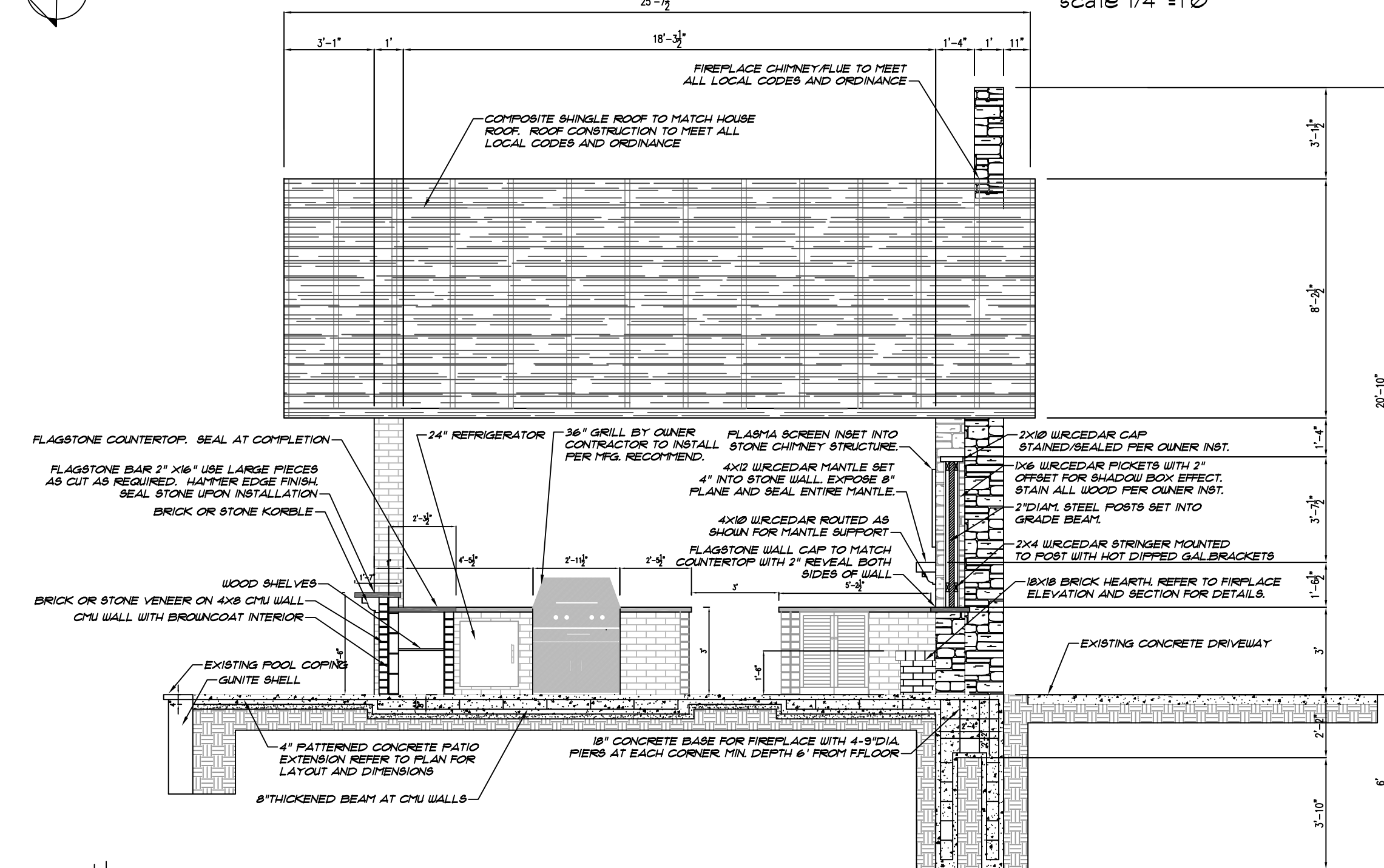
ARBOR/SEAT WALL PLAN AND SECTION

scale 1/4" = 1'0"



PAVILLION SECTION A

scale 1/4" = 1'0"



COOK CENTER ELEVATION

scale 1/4" = 1'0"



Date: 11-13-08
Job: STADELMAN

Revisions	
Date	Description
02-12-09	BID/CONST.ISSUE
03-13-09	OWNER REVISIONS
05-15-09	BEAM REVISIONS

A Landscape Development Plan For

THE STADELMAN RESIDENCE

RICHARDSON, TX

1204 OSAGE LN.

Title
LANDSCAPE MASTER PLAN
SCALE: -AS-NOTED

LANDPATTERNS, INC.
Landscape Architecture
Landscape Construction
3824 Oak Lawn Ave. Suite 320 Dallas, TX 75219
MAIL: P.O.Box 172650 Arlington, TX 76003-2650
T: (214) 219-3993 F: (214) 219-7005
EMAIL: mail@landpatterns.com

Sheet
LP-2