

Revisions

Date	Description
01-18-06	Layout/Materials Revisions
02-10-06	Plan Revisions per Owner Comments
03-06-06	Contract Document

Dallas, Texas

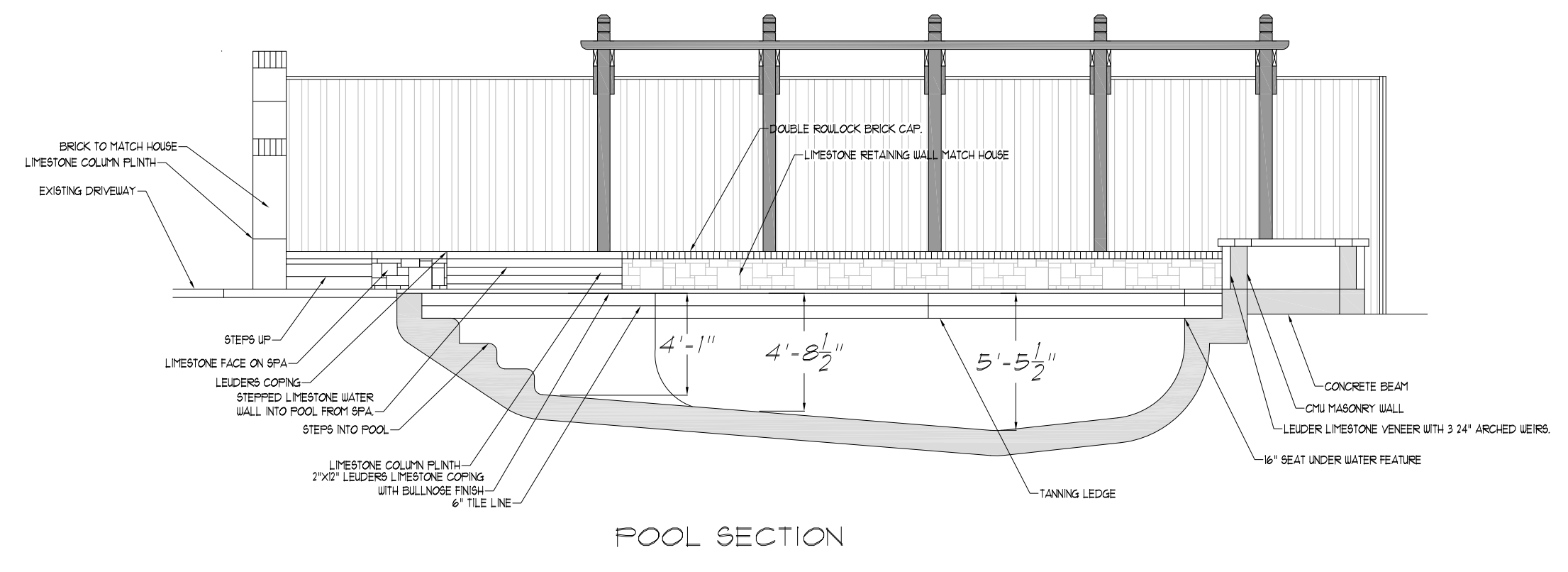
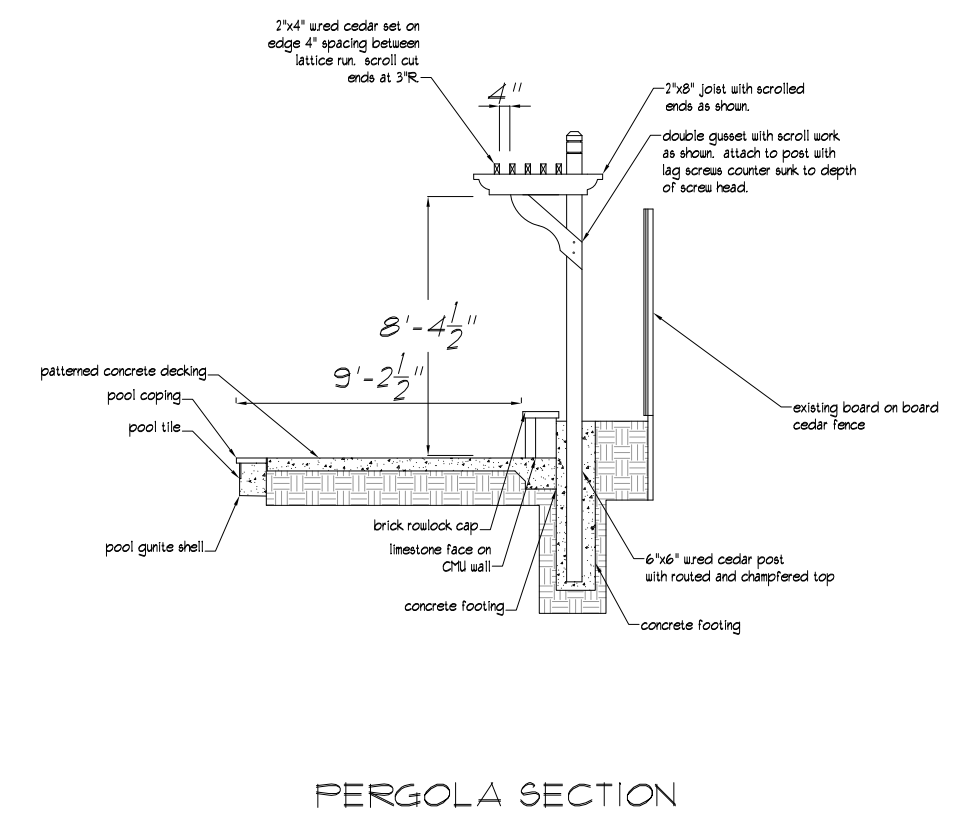
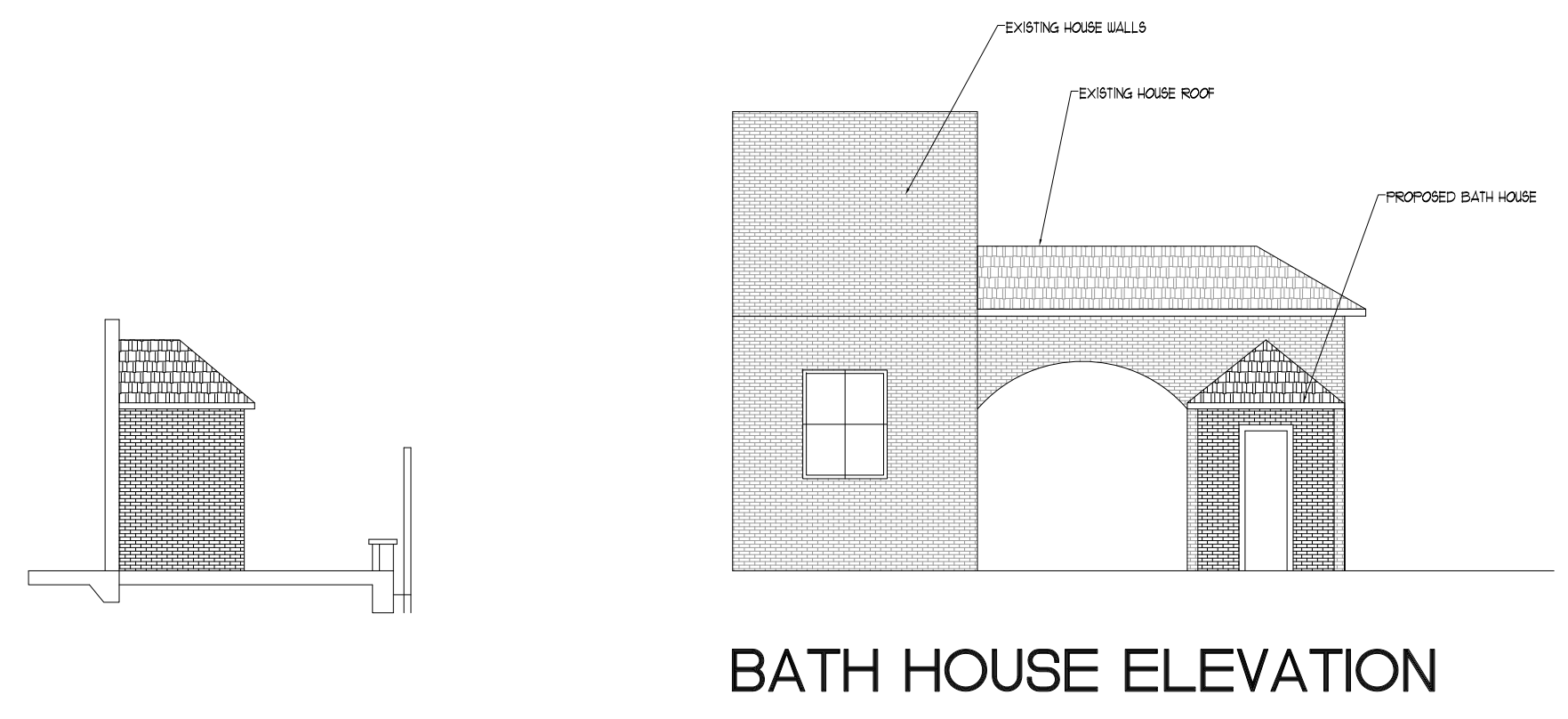
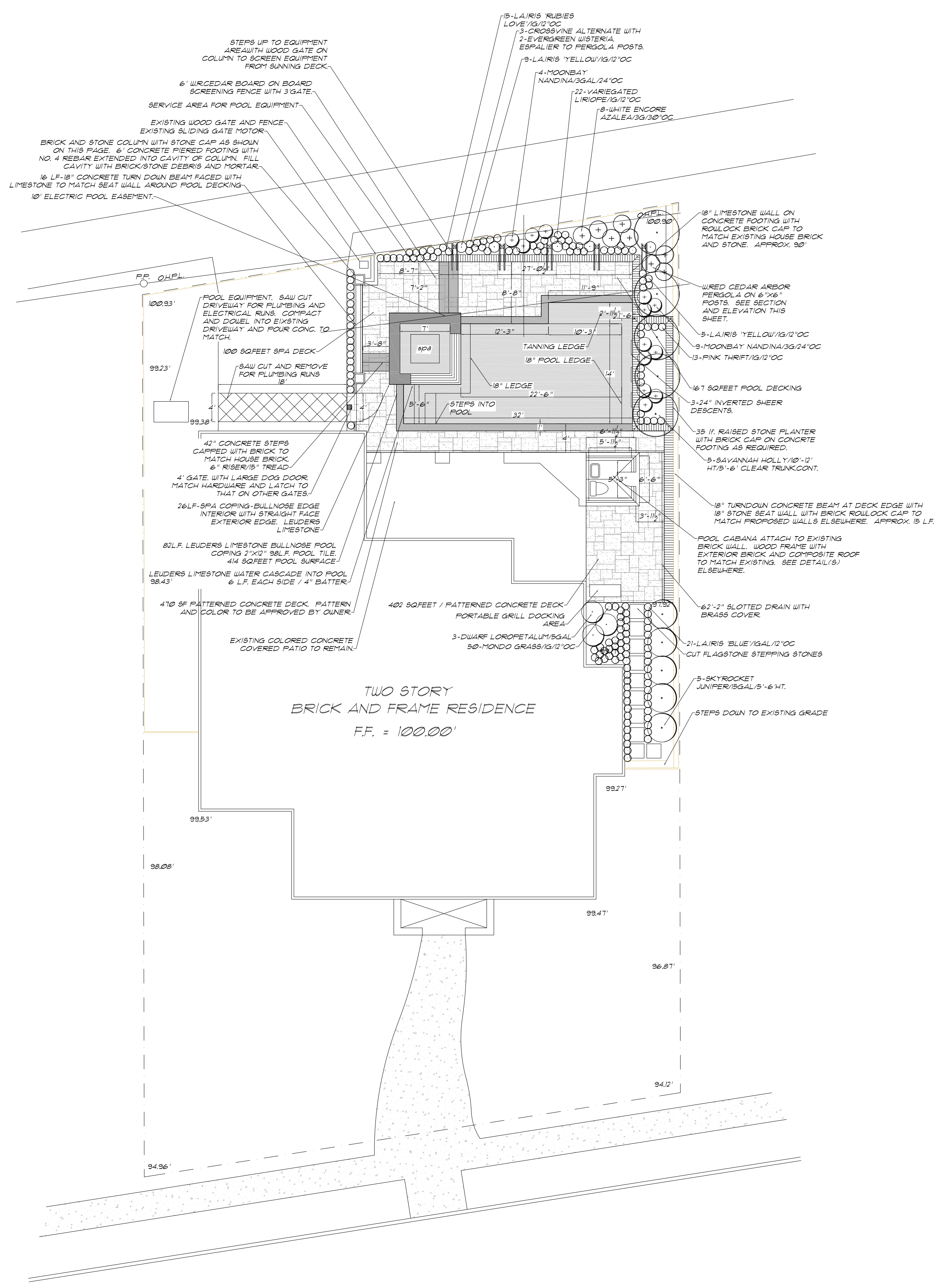
a project for

LAKEWOOD RESIDENCE

Title
 LANDSCAPE PLAN
 1/8" = 1'-0"

LandPatterns, Inc. ■■■■
 Landscape Architecture
 Landscape Construction
 OFFICE: 3624 Oak Lawn Ave. #320 / Dallas, TX
 MAIL: P.O. Box 172650 / Arlington, TX / 76003-2650
 T (214) 219 - 3993 F (214) 219 - 7005
 EMAIL: mail@landpatterns.com

Sheet
 LP-1B



Landscape/Pool Concept Plan "B"

SCALE: 1/8" = 1'-0"

